

DAHLEN

SINGLE OVEN RACK

ITEM NUMBER _____
QUANTITY NO. _____
JOB NO. _____
SPEC NO. _____



SOE-154-DH/16

Dahlen Single Oven Rack

SPECIFICATIONS:

- All Welded Stainless Steel Construction
- End Loading
- 15 Slides, 4" Spacing, 15 Pan Capacity
- Slides Are 16 Gauge, 1 1/2" Wide
- 10 Gauge Base Plate With Swivel
- High temperature oven casters with bushings, no greasing required
- Overall Dimensions are 20 3/8" Wide x 26" Deep x 72" Tall

Heavy Duty Base Construction



*SPECIAL DESIGN BASE PLATE



NO MORE ⚡ BROKEN WELDS!

BEST IN THE INDUSTRY



DAHLEN SINGLE OVEN RACK

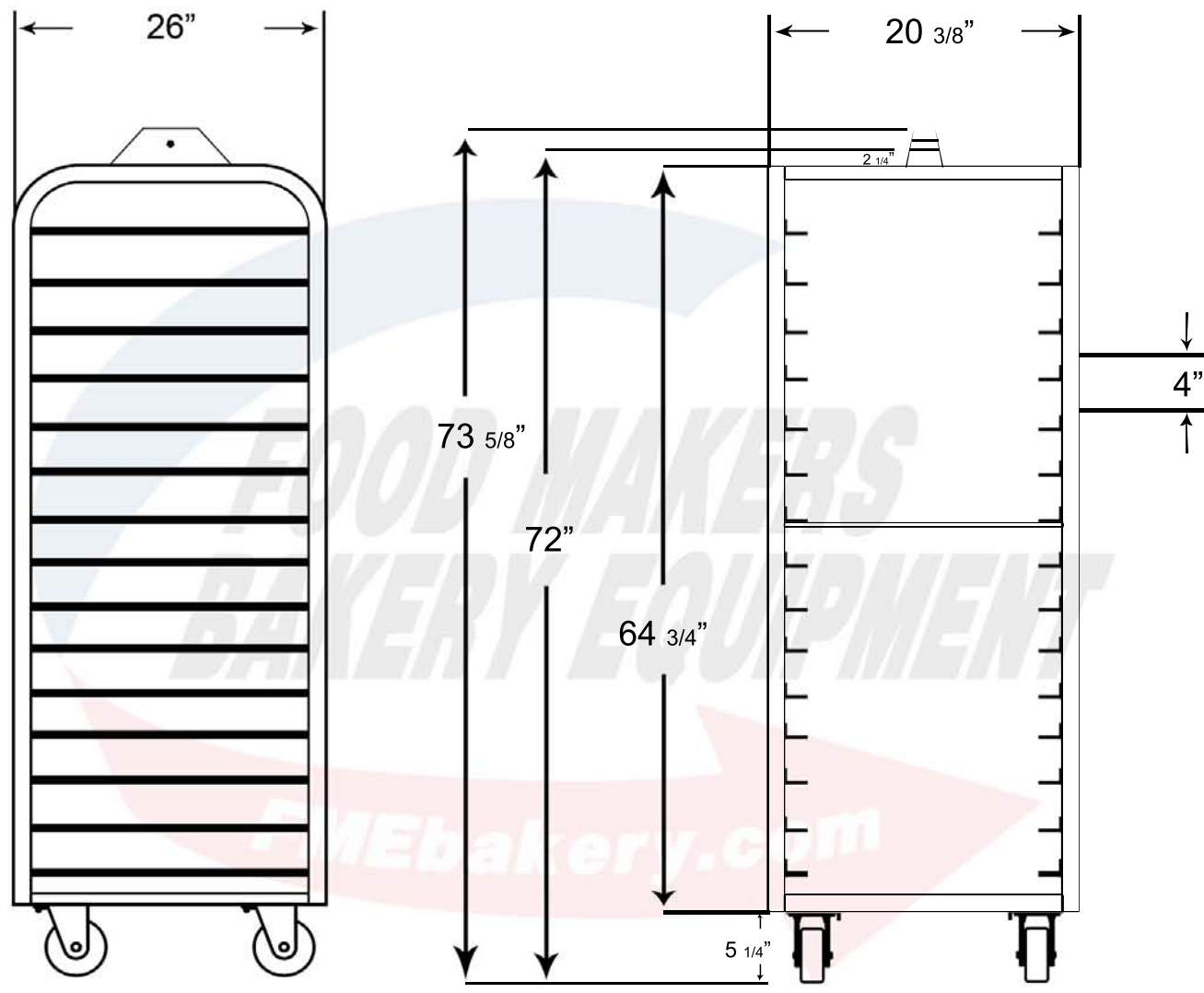
DAHLEN SINGLE OVEN RACK

ITEM NUMBER _____
QUANTITY NO. _____
JOB NO. _____
SPEC NO. _____

MODEL: SOE-154-DH/16

DIAGRAMS

DAHLEN SINGLE OVEN RACK



Side View

Front View



Food Makers Bakery Equipment manufactures only the highest quality racks. All our racks have a base plate construction with full swivel casters to ensure heavy duty capacity. All welded construction allows us to guarantee our racks for a lifetime of ownership, excluding casters.

Custom racks are no problem, send us your specifications and we will build to order.