

# LBC SINGLE OVEN RACK

ITEM NUMBER \_\_\_\_\_  
QUANTITY NO. \_\_\_\_\_  
JOB NO. \_\_\_\_\_  
SPEC NO. \_\_\_\_\_



## LBC Single Oven Rack

### SPECIFICATIONS:

- All Welded Stainless Steel Construction
- Side Loading
- 15 Slides, 4" Spacing, 15 Pan Capacity
- Slides Are 16 Gauge, 1 1/2" Wide
- 10 Gauge Base Plate With Swivel
- High temperature oven casters with bushings, no greasing required
- Overall Dimensions are 28 3/8" Wide x 18" Deep x 69 5/8" Tall

### Heavy Duty Base Construction



\*SPECIAL DESIGN BASE PLATE

**SOS-154-LB/16**



**NO MORE ⚡ BROKEN WELDS!**

**BEST IN THE INDUSTRY**



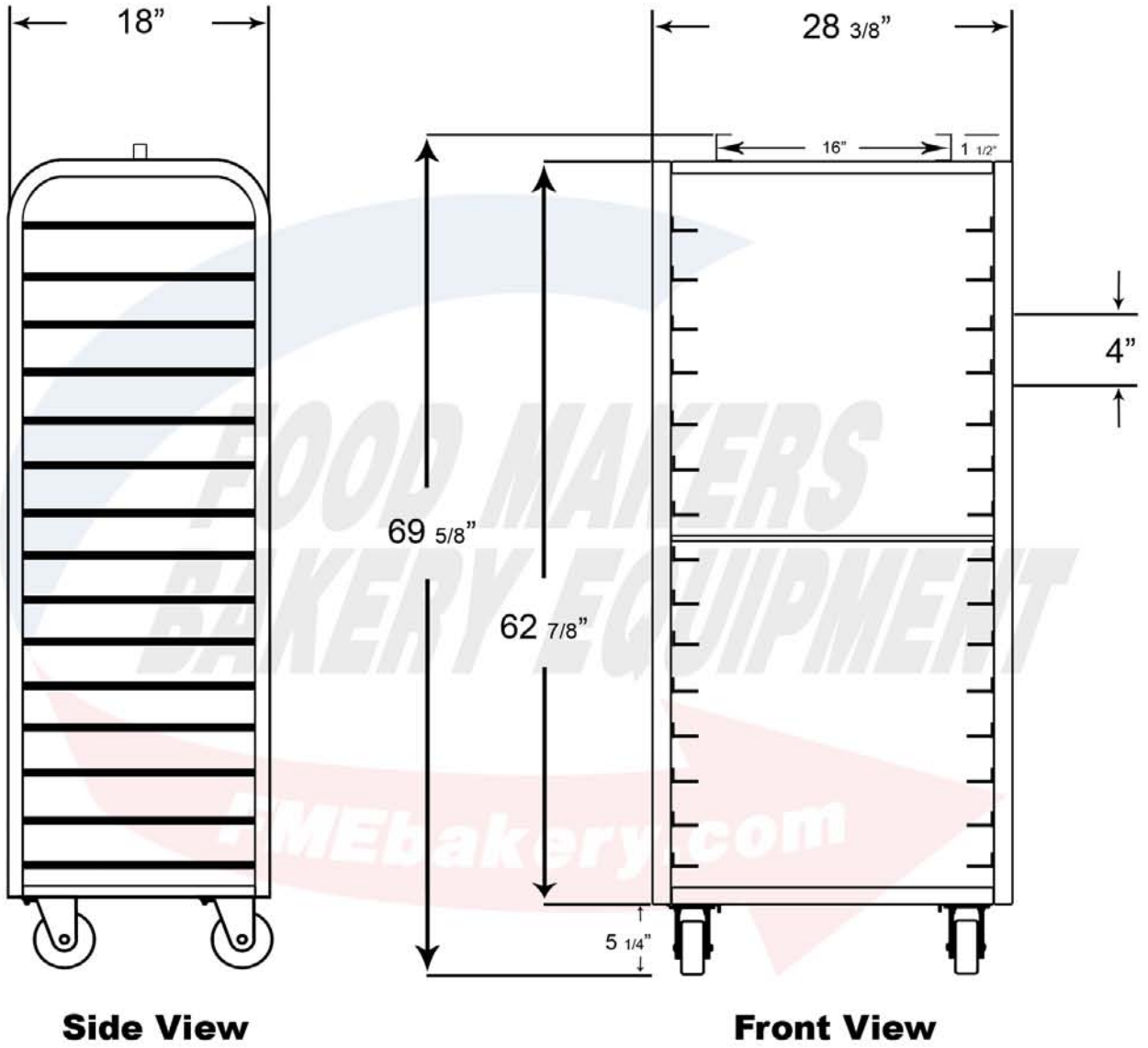
LBC SINGLE OVEN RACK

# LBC SINGLE OVEN RACK

ITEM NUMBER \_\_\_\_\_  
QUANTITY NO. \_\_\_\_\_  
JOB NO. \_\_\_\_\_  
SPEC NO. \_\_\_\_\_

**MODEL: SOS-154-LB/16**

## DIAGRAMS



LBC SINGLE OVEN RACK



Food Makers Bakery Equipment manufactures only the highest quality racks. All our racks have a base plate construction with full swivel casters to ensure heavy duty capacity. All welded construction allows us to guarantee our racks for a lifetime of ownership, excluding casters.

**Custom racks are no problem, send us your specifications and we will build to order.**