

STAINLESS STEEL SHEET PAN DOLLY

WITH HIGH HANDLES

ITEM NUMBER _____

QTY. NUMBER _____

JOB NUMBER _____

SPEC. NUMBER _____

STAINLESS - SHEET PAN DOLLY WITH HIGH HANDLES



SPECIFICATIONS:

- All Stainless Steel Construction
- All Welded Frame
- 5" x 2" Industrial Plate Casters
- Dual Grease Zerks
 - Prolonged Life
 - Easy Maintenance
- Heavy Duty 1 Inch Tubing
- Fits 18" x 26" Pans
- Call For Custom Sizing

Shown Here
SSPD-48H



Heavy Duty Red Casters:

- 3,200 lbs. Load Capacity
- Won't Damage Your Floors
- Smooth Transport



CUSTOM SIZING



Food Makers Bakery Equipment
626-358-1343

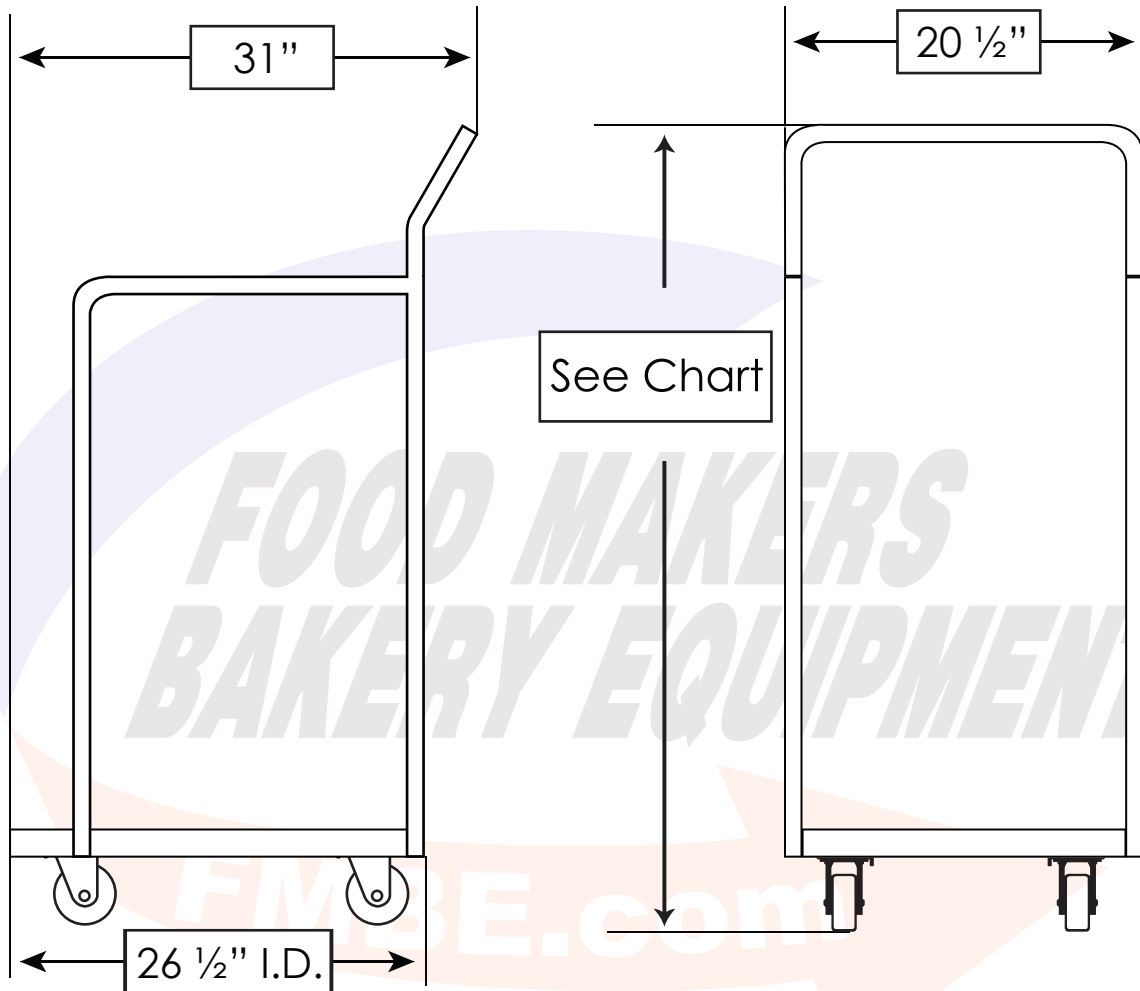
www.FMBE.com • sales@fmbe.com • Irwindale, CA

STAINLESS STEEL SHEET PAN DOLLY

WITH HIGH HANDLES



STAINLESS - SHEET PAN DOLLY WITH HIGH HANDLES



SIDE VIEW

FRONT VIEW

Model	Overall Height	Est. Standard Pan Capacity
SSPD-24H	24"	20 - 30
SSPD-36H	36"	50 - 60
SSPD-48H	48"	80 - 90

CUSTOM SIZING



AVAILABLE

OPTIONS:

- Add The Double Weld Option For Lifetime Warranty
- Special Spacing & Height? No Problem! Call Us Today

Food Makers Bakery Equipment
626-358-1343

www.FMBE.com • sales@fmbe.com • Irwindale, CA